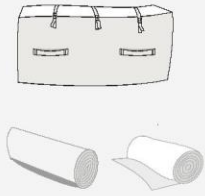


PITCHING GAZEBO TENT 6*6m²



Contents of the

- 1) Body Saddlebag (1 Piece)
- 2) Frame Saddlebag (1 Piece)

Contents of the Body

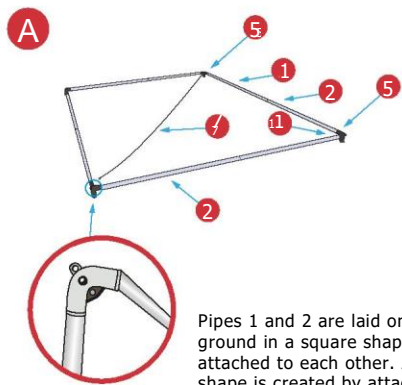
| Explanation | Piece |
|-------------|-------|
| Body | 1 |
| Side Wall | 2 |
| Front Door | 1 |
| Rear Wall | 1 |

Contents of the Frame

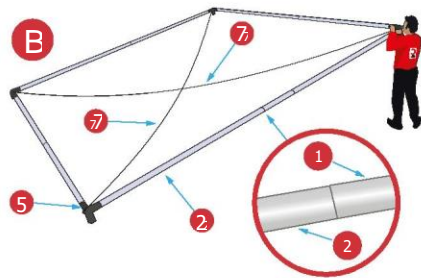
| | | | |
|---|-------|---|-------|
| 1 | 300cm | 2 | 300cm |
| 3 | 250cm | 4 | 250cm |
| 5 | | 6 | |
| 7 | | 8 | |

| No | Explanation | Piece |
|----|------------------------------------|-------|
| 1 | Shirred Roof Pipe | 4 |
| 2 | Flat Roof Pipe | 4 |
| 3 | Foot Pipe | 4 |
| 4 | Middle Pole (With Lower and Upper) | 1 |
| 5 | Triple Elbow | 4 |
| 6 | Foot Shoe | 4 |
| 7 | Tension Rope (Steel Rope) | 2 |
| 8 | Nail Pile | 4 |

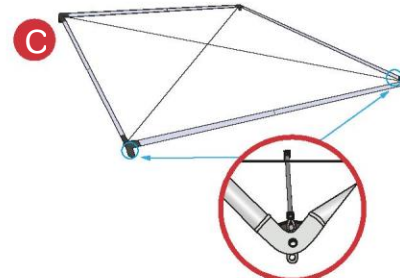
1) FRAME



Pipes 1 and 2 are laid on the ground in a square shape and attached to each other. A square shape is created by attaching triple brackets no. 5 to its four corners.



One of the loops at both ends of the steel rope is inserted into the hooks on the triple elbows located at the corners of the formed square. After one loop of the wire rope is attached, one side of the frame is lifted into the air to attach the other loop.



After both ropes are attached, the frame part is formed.

2) DRESSING THE TOP TARPULIN

Side curtains are attached to the formed frame, respectively, by means of textile zippers. (Picture A)

After the 4 side curtains are attached to the frame, the upper tarpaulin is laid on the top of the frame. (Picture B)

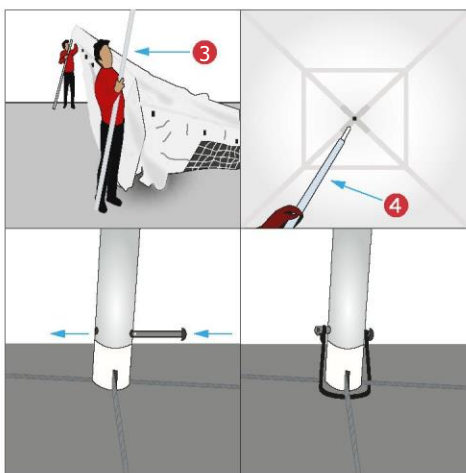


The three corners of the upper tarpaulin are attached to the triple brackets by means of the columns (tie rope) at the corners. (Picture C)



The fourth corner of the upper tarpaulin is stretched with the help of nail piles and attached to the triple elbow corner. (Picture D)

3) INSTALLATION OF THE

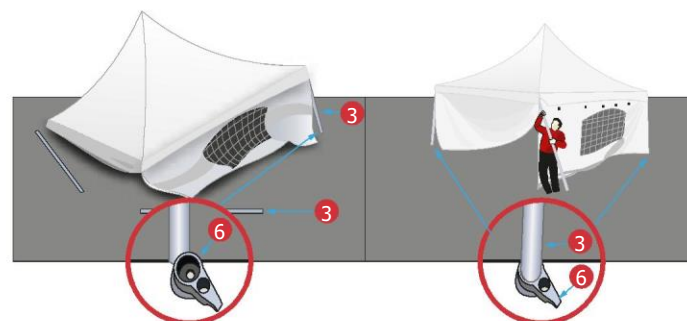


The two legs with no. 3 are attached to the 5 brackets.

Then, the middle pole with no. 4 is attached to the slot in the middle, the lower part of the pipe is placed on the steel rope.

The middle pole is slid on the wire rope and attached to the 2 wire ropes and locked with the fixing pin.

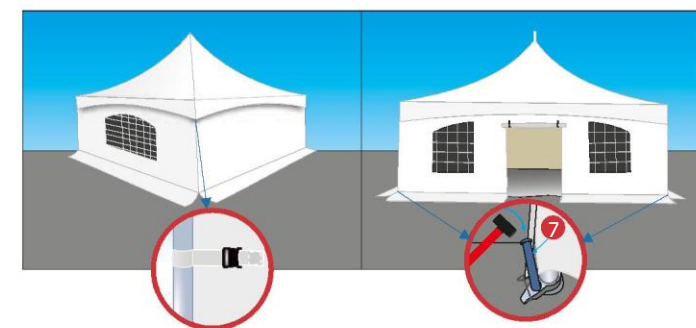
4) INSTALLATION OF TENT FEET



After the center pile assembly is completed, the two foot pipes no. 3 are attached.

Foot pipes located in four corners are attached to the foot shoes with No. 6.

5) FIXING THE TENT



Side curtain columns (tying ropes) are connected from the inside to the frame by means of locking plastics. The side curtains are fixed to each other from the outside by means of textile zippers. The tensioning process is performed by attaching the tensioning ratchets in the four corners with the hooks located in the foot shoes. After the tent is leveled, nail piles are driven through the holes in the foot shoes and fixed to the ground.

Please Read the QR Code for the Pitching



www.kizilaycadirtekstil.com.tr